

IC101, IC201

1	6.3V
2	6.3V
3	6.3V
4	6.3V
5	5.9V
6	6.3V
7	6.3V
8	6.4V
9	6.4V
10	6.4V
11	6.4V
12	1.3V
13	1.3V
14	0.9V
15	0.9V
16	12.5V

S2 DOLBY NR SWITCH  
ON NR ON OFF FILTER OFF

S3 INPUT SELECT SWITCH  
LINE MIC

S4 EQ SWITCH  
CR2 Fe203

S5 BIAS SWITCH  
CR2 Fe203

Q107, Q207

B	1.6V
C	6.4V
E	1V

Q101, Q201

B	0.6V
C	1.3V
E	19mV

Q102, Q202

B	1.3V
C	4.5V
E	0.6V

Q110, Q210

B	7.7V
C	14.7V
E	7.1V

Q109, Q209

B	0.9V
C	6.9V
E	0.3V

Q914

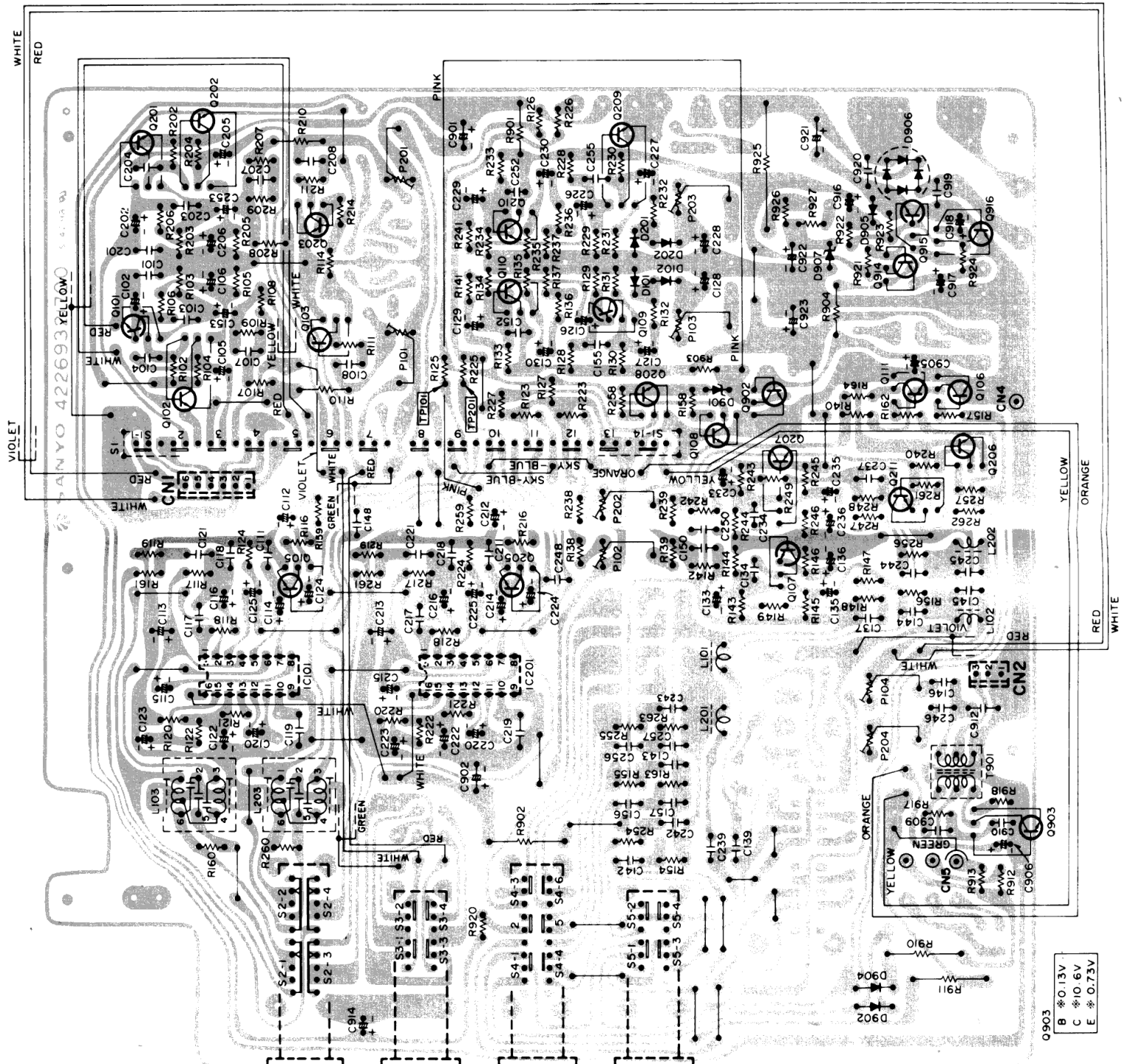
B	14.6V
C	14.6V
E	14.1V

Q916

B	0.64V
C	
E	

Q903

B	*0.13V
C	*10.6V
E	*0.73V



VIOLET  
RED  
WHITE

YELLOW  
ORANGE  
RED  
WHITE

YAMAHA 422693 YELLOW

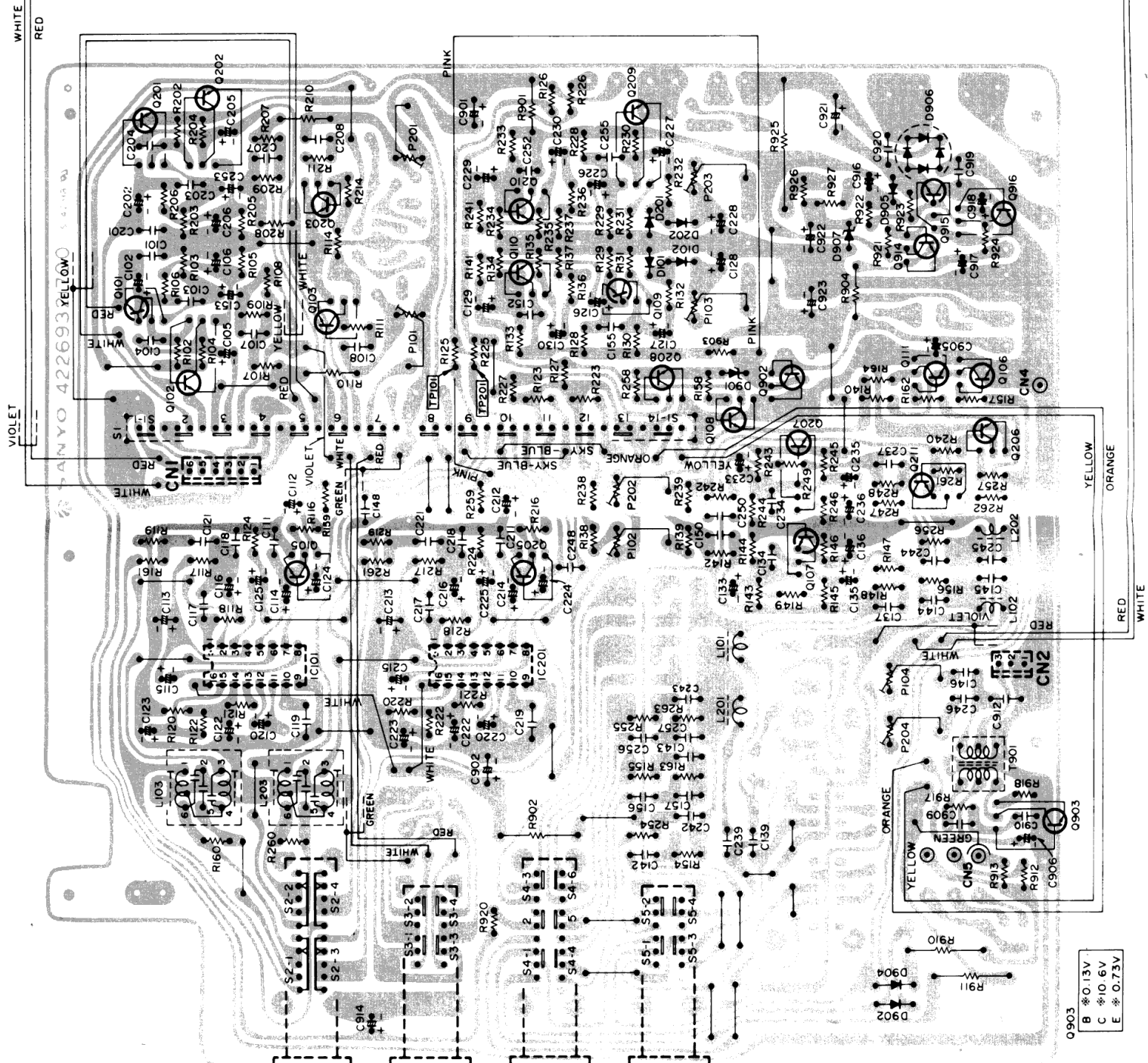
CN1

CN2

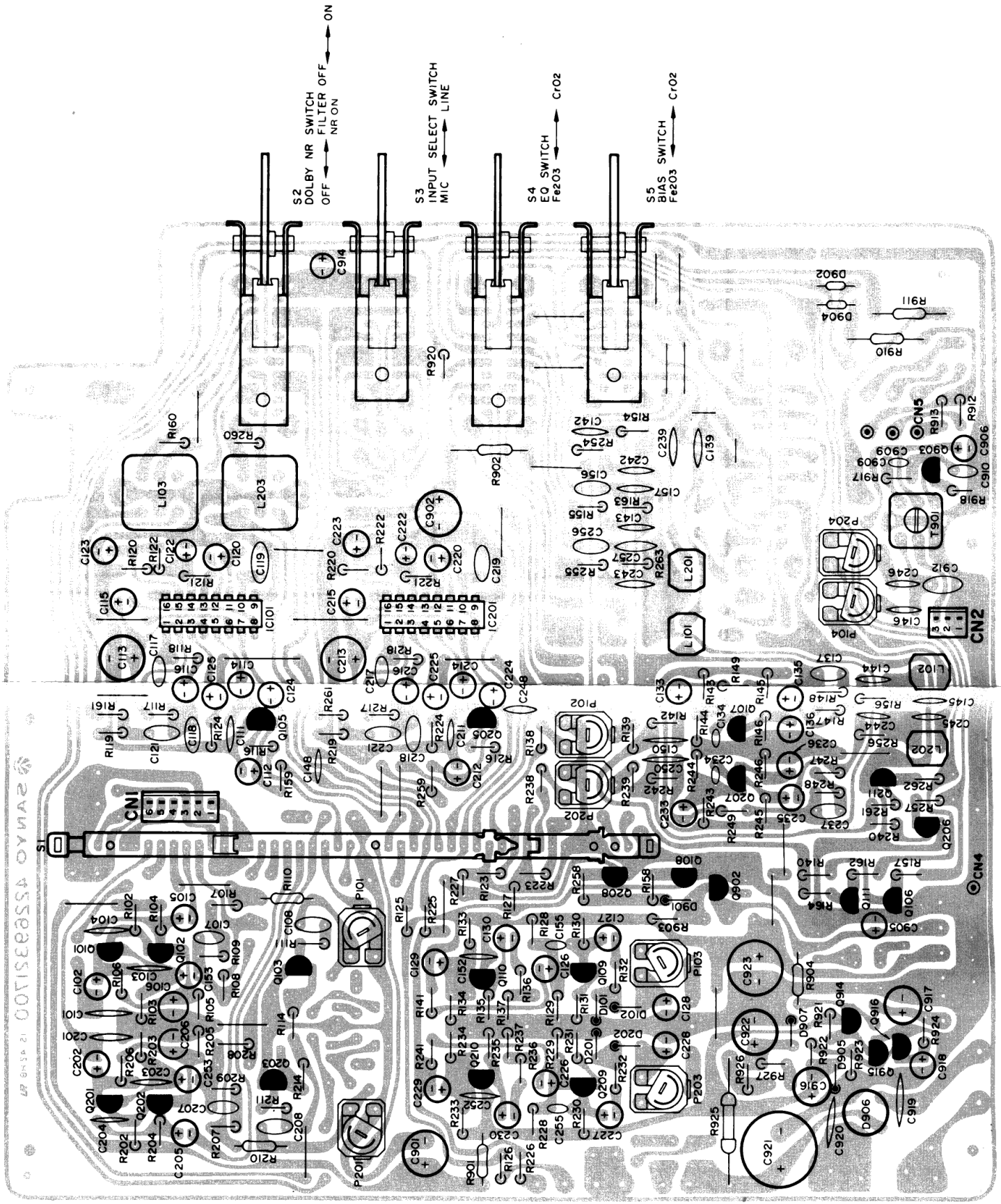
CN3

CN4

CN5



LF 8-15-21 001588554 0YMAZ



S2 DOLBY NR SWITCH  
FILTER OFF → ON

S3 INPUT SELECT SWITCH  
MIC → LINE

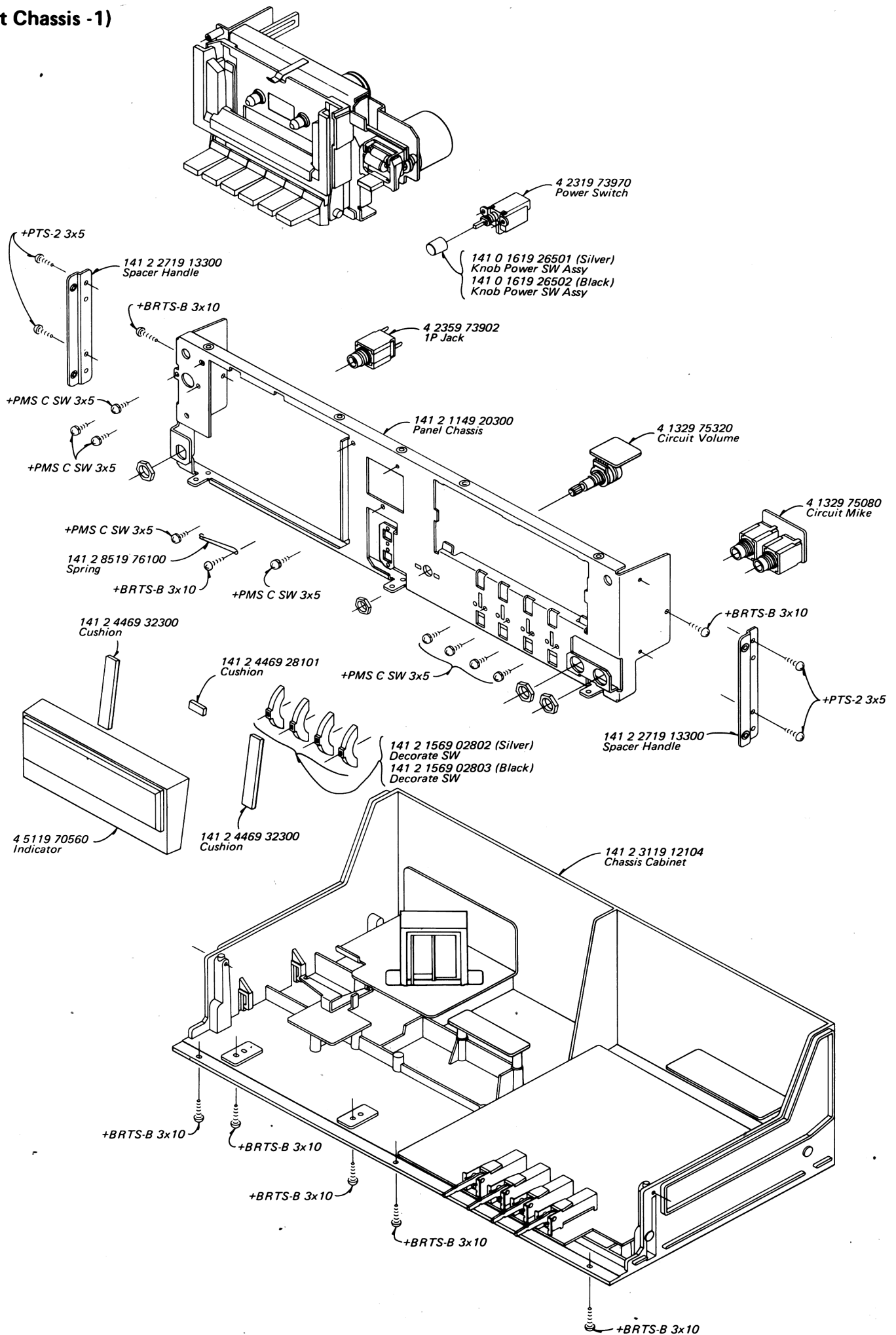
S4 EQ SWITCH  
Fez03 → Cr02

S5 BIAS SWITCH  
Fez03 → Cr02

© CN4

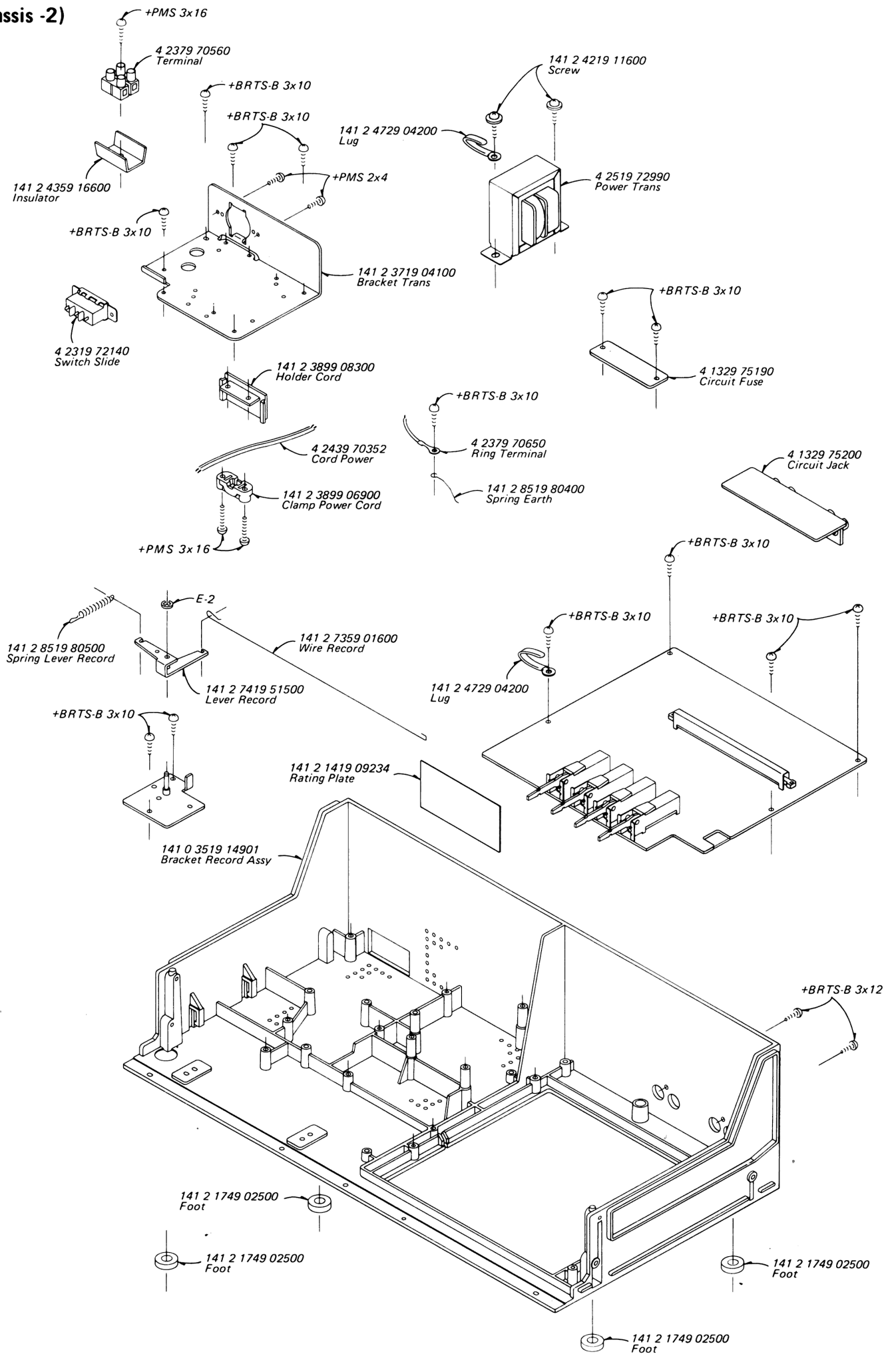
# EXPLODED VIEW (Continued)

## (Cabinet Chassis - 1)



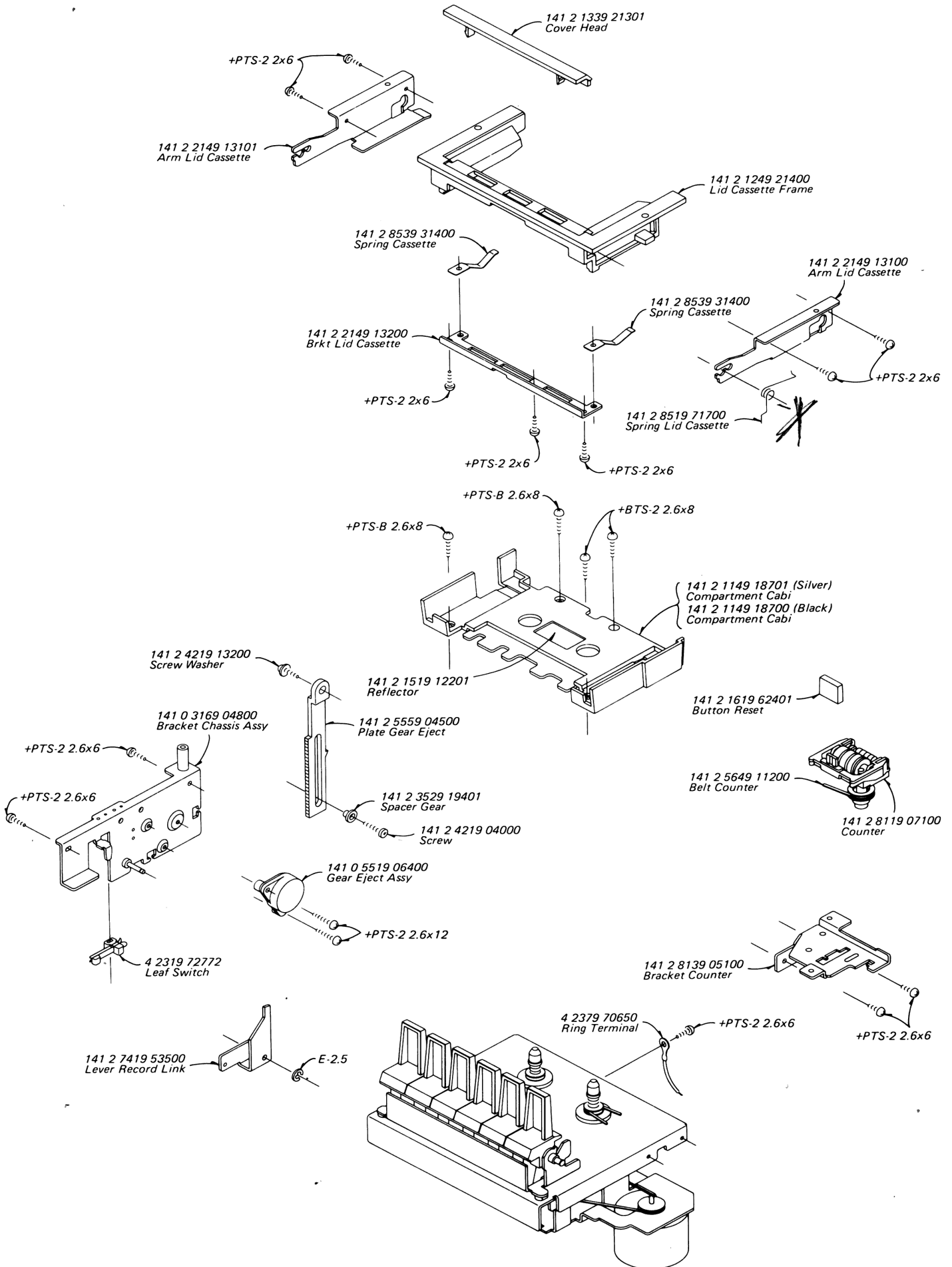
# EXPLODED VIEW (Continued)

## (Cabinet Chassis - 2)



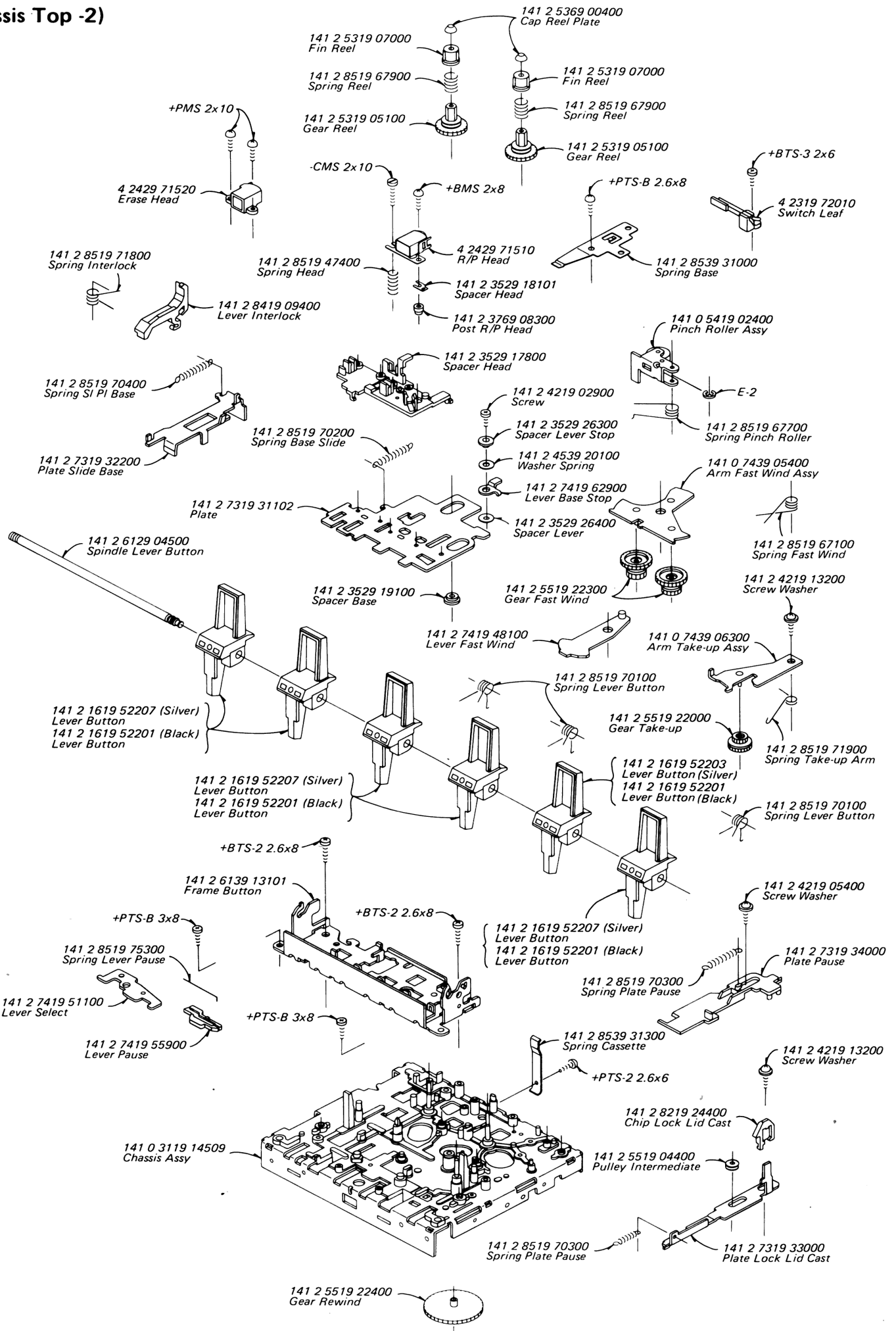
# EXPLODED VIEW (Continued)

## (Chassis Top -1)

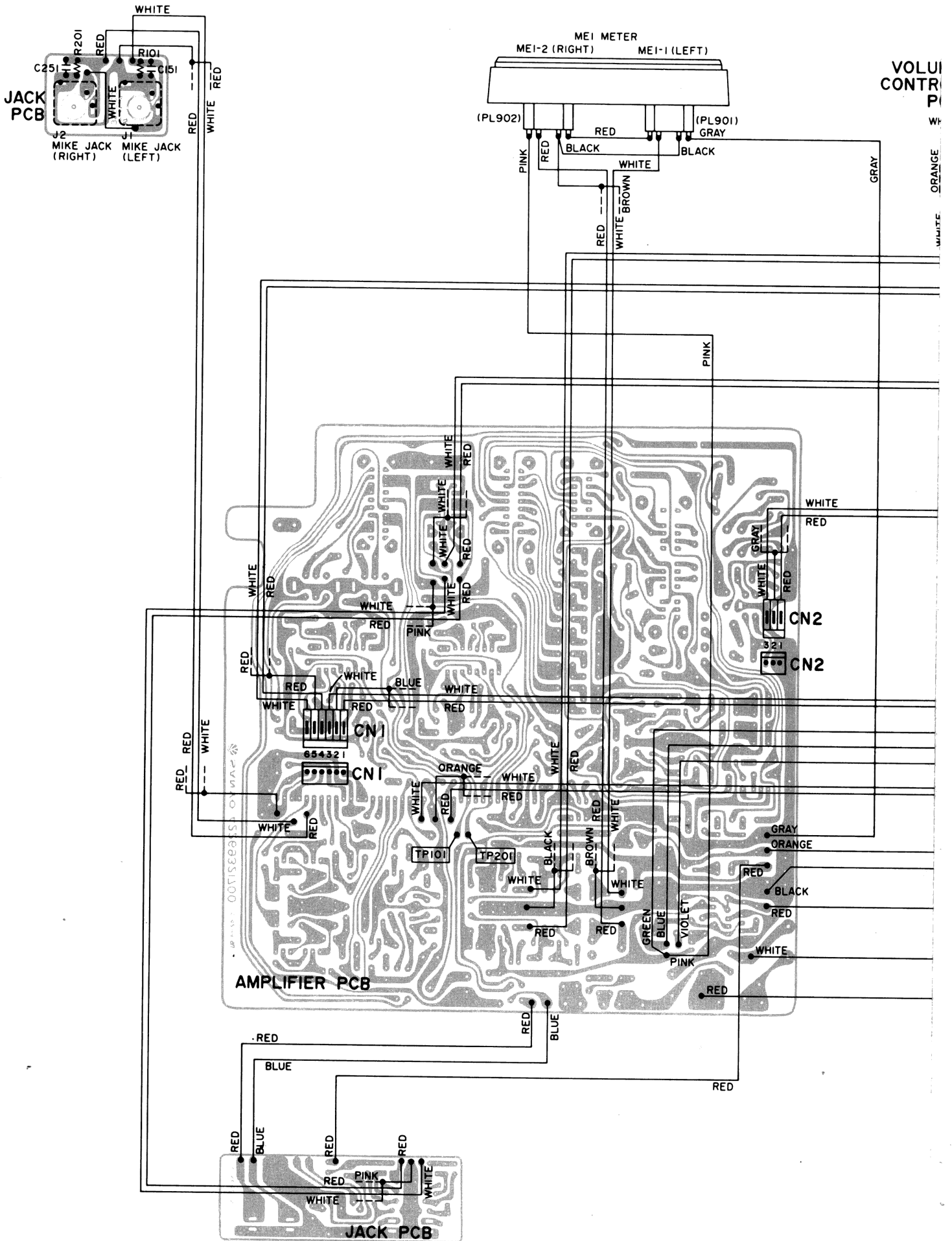


# EXPLODED VIEW (Continued)

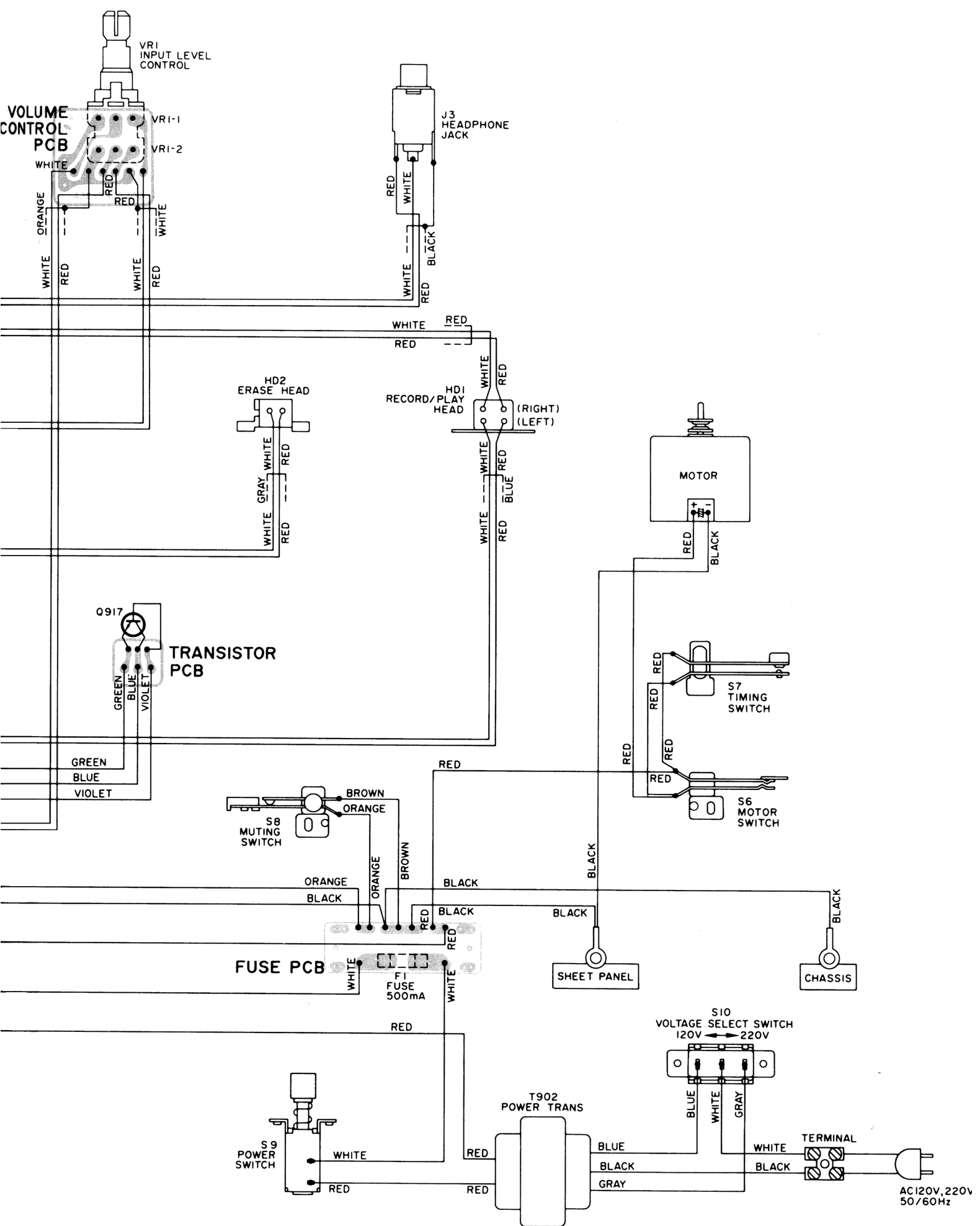
## (Chassis Top -2)



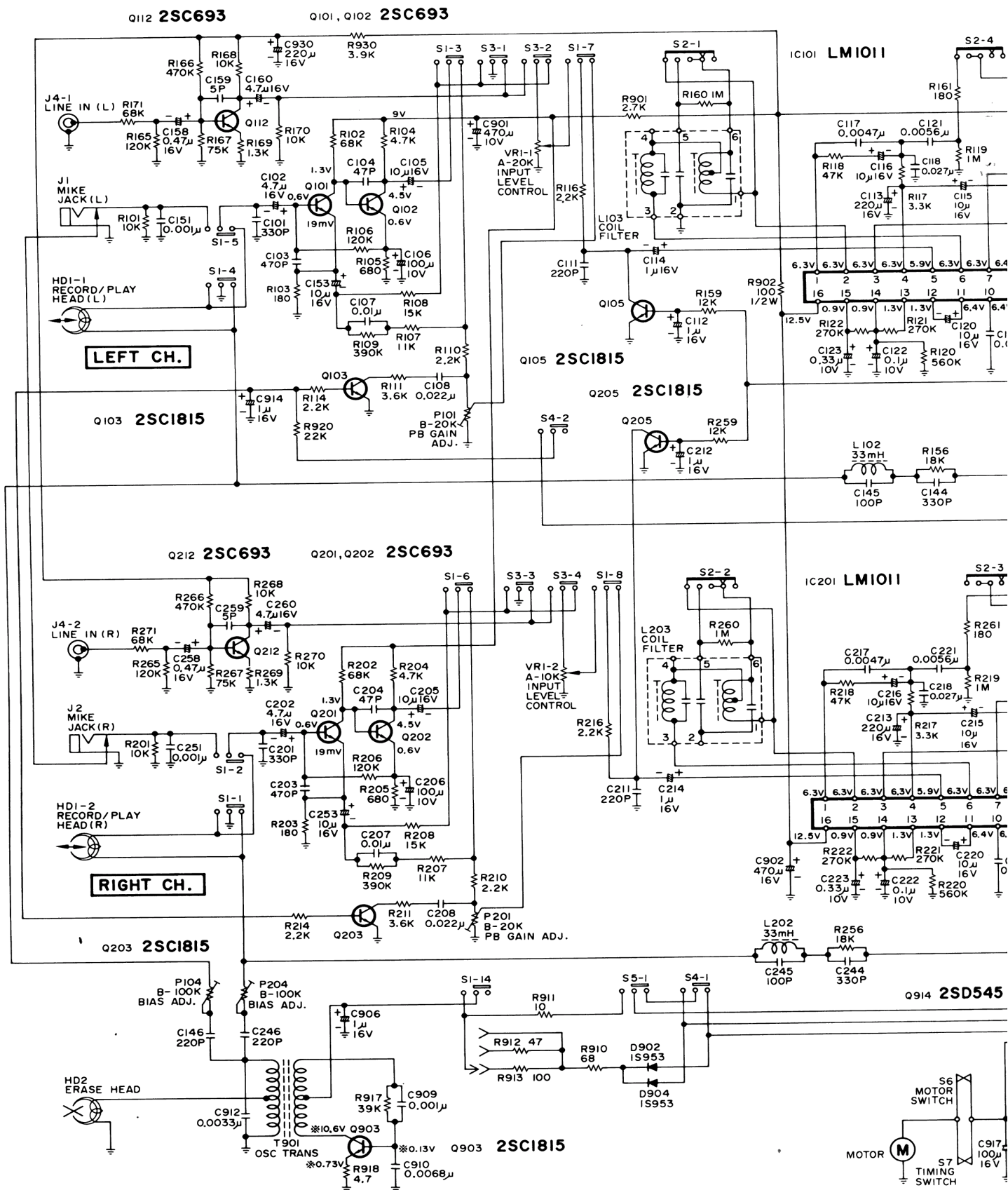
# WIRING DI



# DIAGRAM

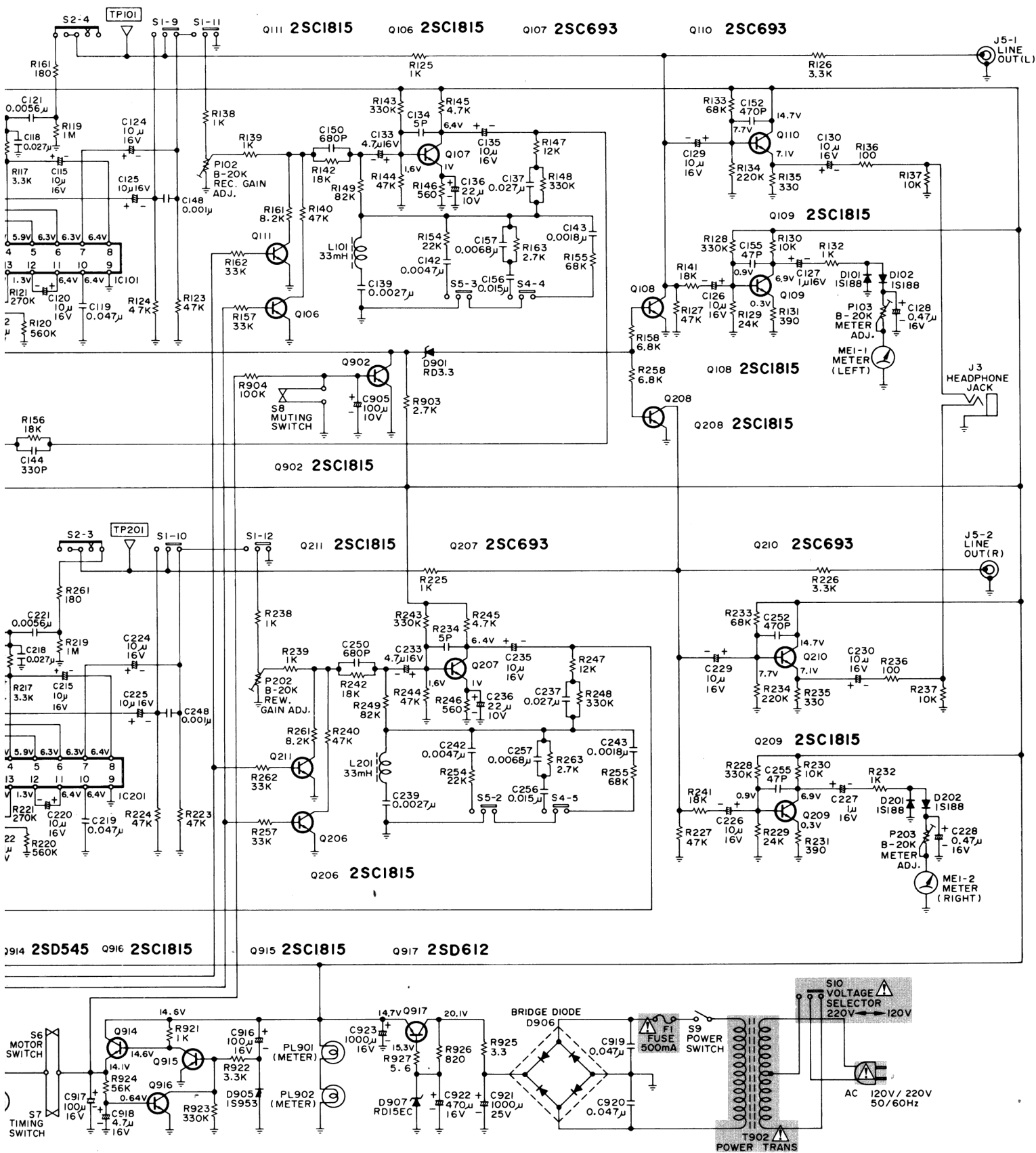






No.	Name	Position	No.	Name	Position	No.	Name
S1	RECORD/PLAYBACK Switch	PLAYBACK	S5	BIAS Switch	Fe2O3	S9	POWER Switch
S2	DOLBY NR Switch	OFF	S6	MOTOR Switch	OFF	S10	VOLTAGE SELECT Switch
S3	INPUT SELECT Switch	MIC	S7	TIMING Switch	CLOSE		
S4	EQ Switch	Fe2O3	S8	MUTING Switch	CLOSE		

# SCHEMATIC DIAGRAM



## PRODUCT SAFETY NOTICE

PRODUCT SAFETY SHOULD BE CONSIDERED WHEN A COMPONENT REPLACEMENT IS MADE IN ANY AREA OF AN UNIT. COMPONENTS INDICATED BY A MARK  $\Delta$  IN THIS SCHEMATIC DIAGRAM SHOW COMPONENTS WHOSE VALUE HAS SPECIAL SIGNIFICANCE TO PRODUCT SAFETY. IT IS PARTICULARLY RECOMMENDED THAT ONLY PARTS SPECIFIED ON THE ATTACHED PARTS LIST BE USED FOR COMPONENT REPLACEMENT POINTED OUT BY THE MARK.

	Position
T Switch	OFF 120V